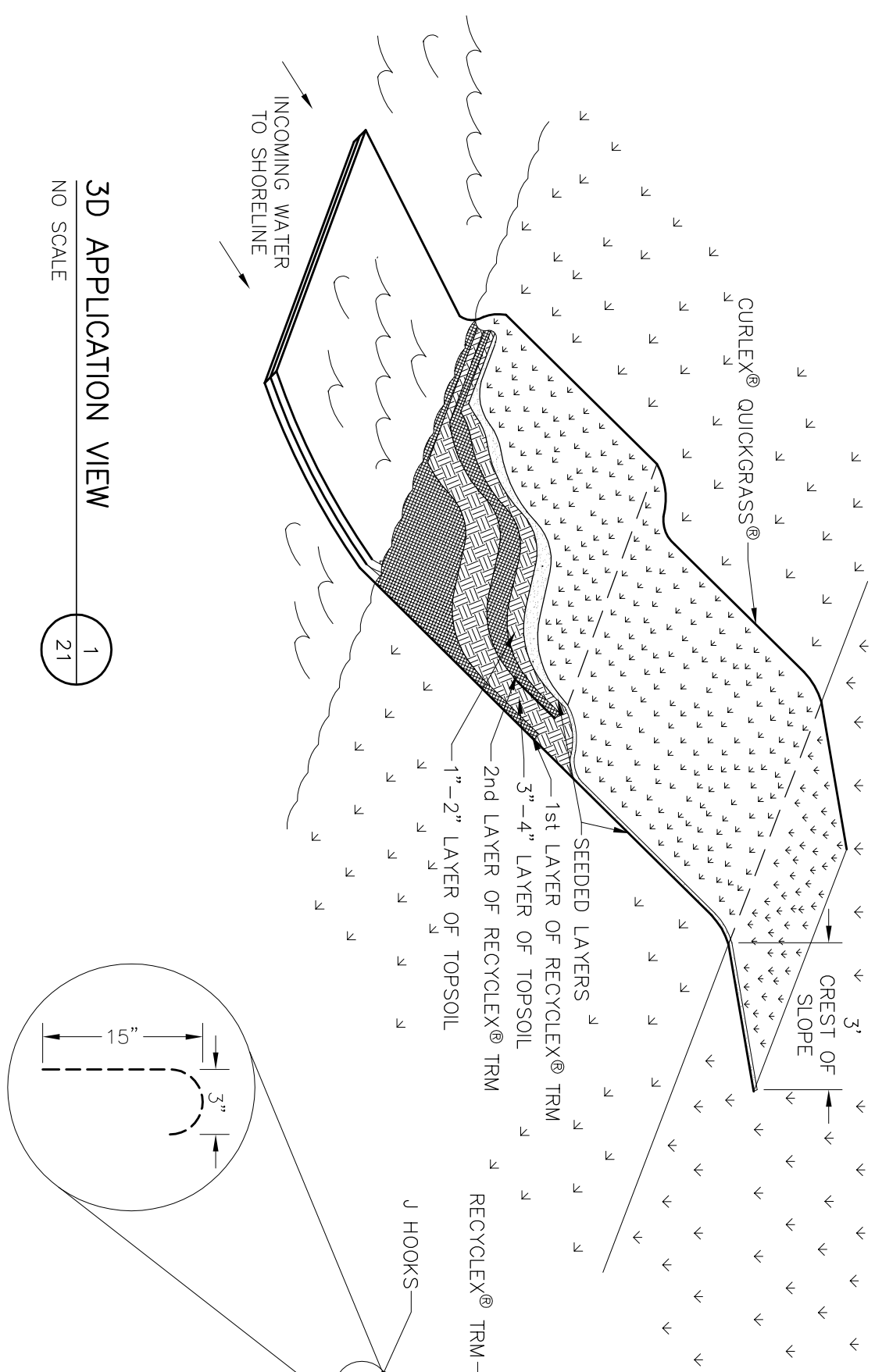


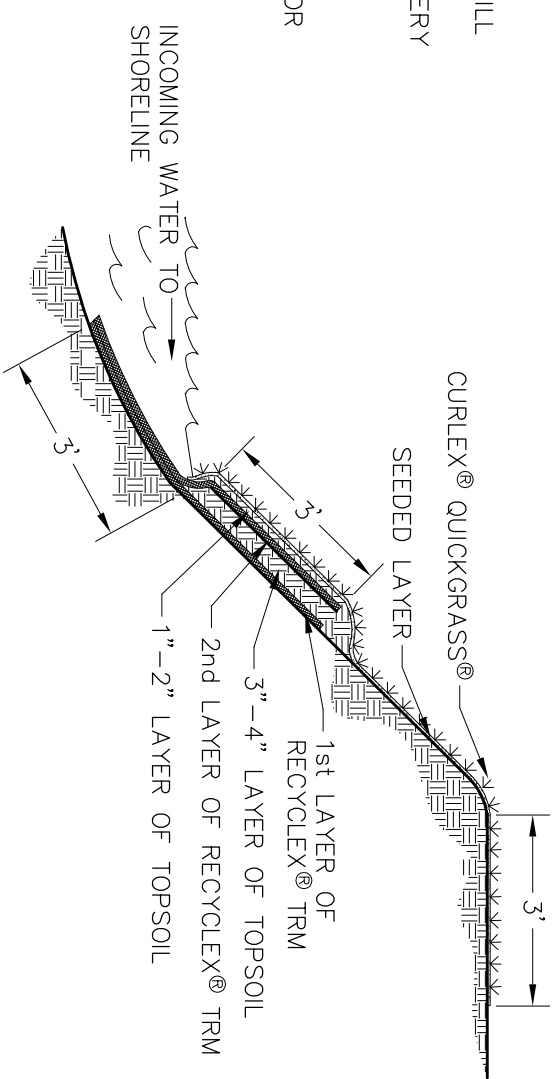
**NOTE:**

1. INSTALL FIRST LAYER OF RECYCLEX® TRM 8' WIDTH, A MINIMUM OF 3' BELOW NORMAL POOL & A MINIMUM OF 3' ABOVE NORMAL POOL.
2. INSTALL #3 (3/8) REBAR J-HOOKS (15" LENGTH WITH 3" CROWN) BELOW WATERLINE THROUGH RECYCLEX® TRM AS NEEDED TO TEMPORARILY SECURE UNTIL SECOND LAYER OF RECYCLEX® TRM IS INSTALLED AND PERMANENTLY ANCHORED.
3. ABOVE WATERLINE ANCHOR RECYCLEX® TRM, SOIL FILL TOPSOIL OVER RECYCLEX® TRM SO IT INTERMINGLES INTO AND ABOVE THE PERMANENT MATRIX 3"-4".
4. INSTALL SECOND LAYER OF RECYCLEX® TRM ON TOP OF FIRST LAYER OF RECYCLEX® TRM (BELOW WATERLINE) AND FIRST LAYER SOIL FILL (ABOVE WATERLINE).
5. INSTALL #3 (3/8) REBAR J-HOOKS (15" LENGTH WITH 3" CROWN) BELOW WATERLINE ALONG THE OUTSIDE EDGE OF RECYCLEX® TRM EVERY 4 LINEAL FEET AND REPEAT AT EDGE OF THE WATERLINE.
6. ABOVE WATERLINE ANCHOR RECYCLEX® TRM, SOIL FILL TOPSOIL OVER RECYCLEX® TRM SO IT INTERMINGLES INTO AND ABOVE THE PERMANENT MATRIX 1"-2".
7. SEED TOPSOIL LAYER THAT WAS PLACED ON TOP OF RECYCLEX® TRM AND REMAINDER OF DISTURBED SLOPE WITH A MIXTURE SUITED FOR SITE CONDITIONS.
8. BEGINNING AT THE WATERLINE INSTALL CURLEX® QUICKGRASS® BLANKETS OVER THE SEED/TOPSOIL LAYER TO PROMOTE IDEAL GROWING CONDITIONS FOR GRASS SEED ON THE SLOPE ABOVE THE WATERLINE. TO PROTECT THE REMAINING BARE SOIL CONTINUE THE INSTALLATION OF CURLEX® QUICKGRASS® BLANKETS UNTIL IT HAS REACHED 3' OVER THE CREST OF THE SLOPE AND ANCHOR.
9. STAPLE PATTERNS ARE DEPENDENT ON SITE CONDITIONS. SEE CURLEX® AND RECYCLEX® TRM STAPLE PATTERN GUIDES FOR DETAILS.



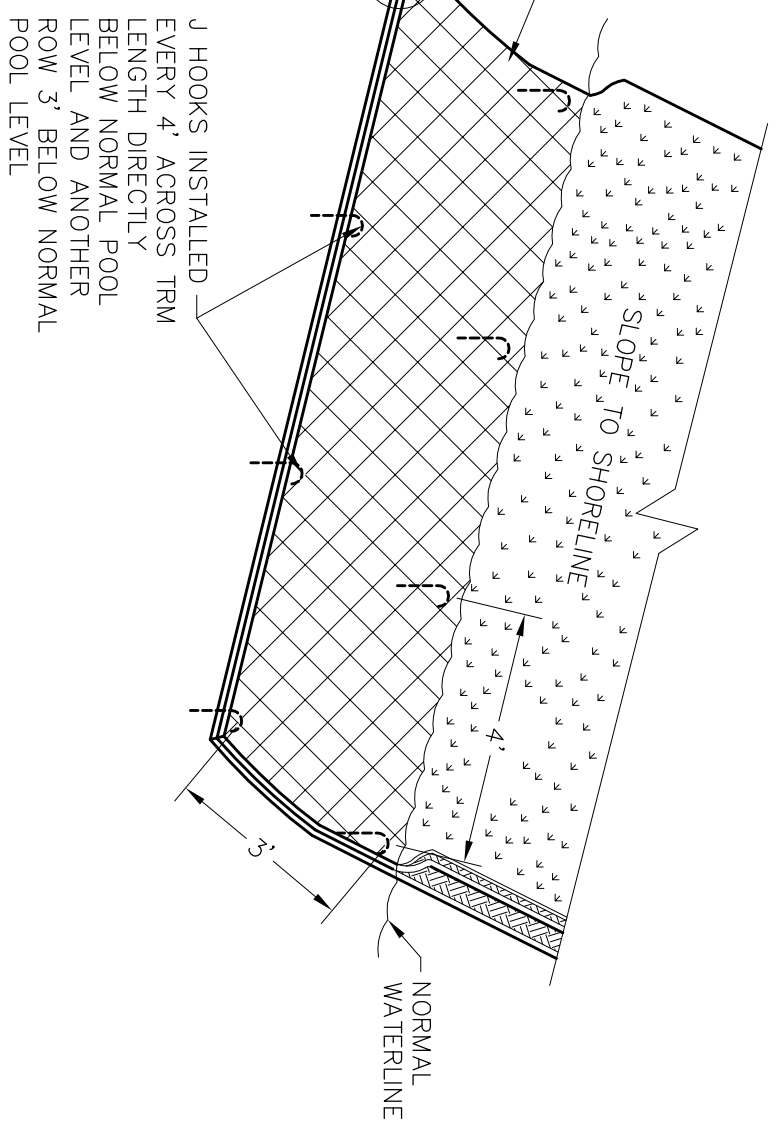
**3D APPLICATION VIEW**  
NO SCALE

1  
21



**CROSS SECTION DETAIL**  
NO SCALE

2  
21



**J HOOK DETAIL**  
NO SCALE

3  
21

NO.	BY	DATE	REVISIONS	PROJECT MANAGER	CHECKED BY:	APPROVED BY:	SHEET DESCRIPTION	DATE	SCALE	DRAWN BY	SHEET NO.
							AMERICAN EXCELSIOR COMPANY ARLINGTON, TEXAS	10/25/05	NONE		21
							DOUBLE RECYCLEX®/CURLEX® SYSTEM SHORELINE PROTECTION DETAIL				21

