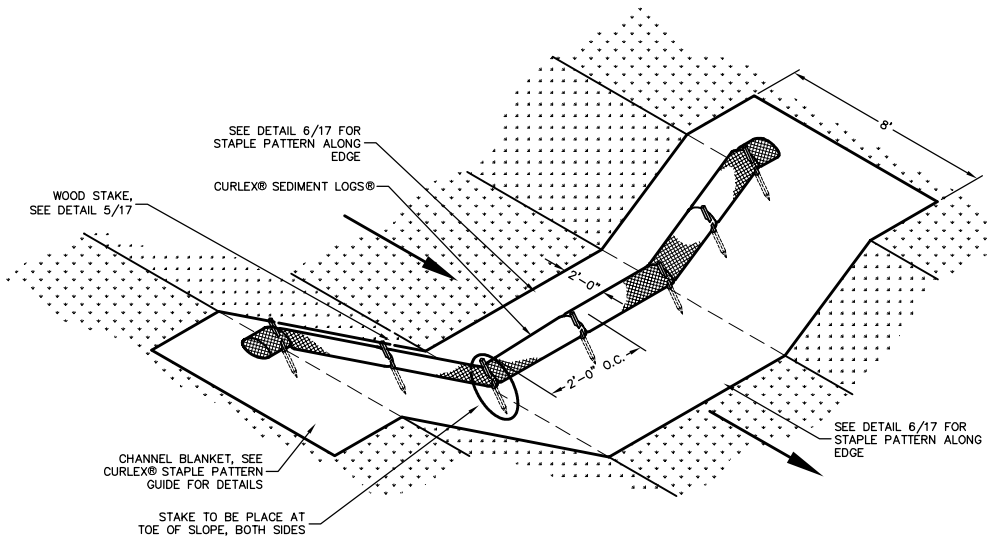


**CURLEX® SEDIMENT LOGS®
DETAIL (NO BLANKET)**

NO SCALE

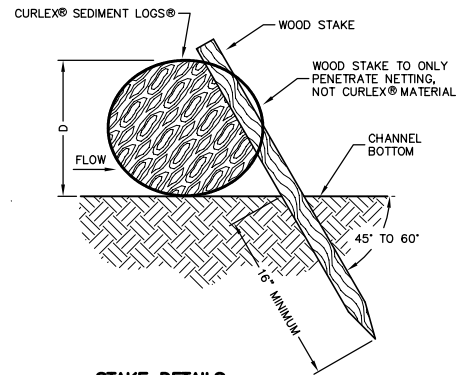
1
17



**CURLEX® SEDIMENT LOGS®
DETAIL (WITH BLANKET)**

NO SCALE

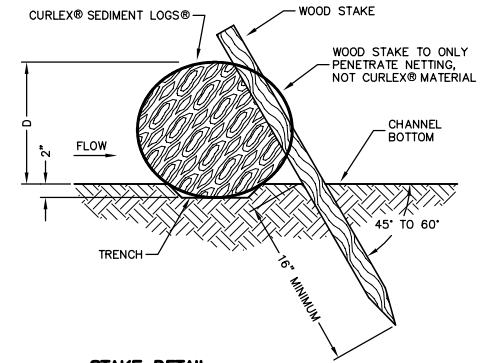
2
17



**STAKE DETAILS
(NO TRENCH)**

NO SCALE

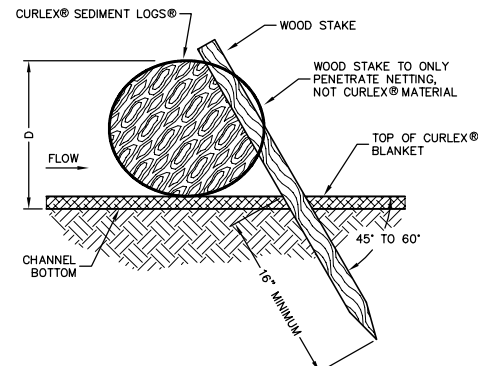
3
17



**STAKE DETAIL
(WITH TRENCH)**

NO SCALE

4
17



**STAKE DETAILS
(NO TRENCH)**

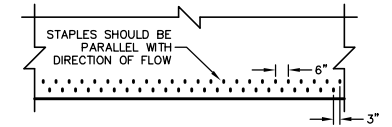
NO SCALE

5
17

NOTE: TRENCH OPTION IS MOST APPLICABLE IN LOOSE, UNCONSOLIDATED SOILS.

1 1/8" X 1 1/8" X 30" WOODEN STAKES ARE RECOMMENDED FOR 6", 9", AND 12" SEDIMENT LOGS®.

1 3/8" X 1 1/8" X 48" WOODEN STAKES ARE RECOMMENDED FOR 20" SEDIMENT LOGS®.



CHANNEL TERMINATION PLAN

NO SCALE

6
17

$$\left[\frac{\text{DISTANCE BETWEEN CHANNEL BOTTOM AND TOP OF INSTALLED CURLEX® SEDIMENT LOGS® (D)(ft)}}{\text{CHANNEL GRADIENT (\%)}} \right] \times 100 = \text{CURLEX® SEDIMENT LOGS® SPACING (ft)}$$

**RECOMMENDED PLACEMENT INTERVAL
BETWEEN CURLEX® SEDIMENT LOGS®**

American
Excelsior
Company®
Earth Science Division

* (SLANTED STAKING VERSION)

SHEET DESCRIPTION
CURLEX® SEDIMENT LOGS®
DITCH/CHANNEL APPLICATION DETAIL

DATE 1/7/03	DRAWN BY
SCALE NONE	PROJECT NO.
	SHEET NO. 17

AMERICAN EXCELSIOR COMPANY
ARLINGTON, TEXAS

PROJECT MANAGER
CHECKED BY:
APPROVED BY:

NO.	BY	DATE	REVISIONS