

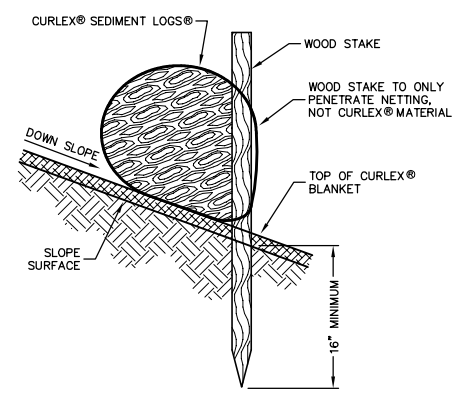
**SLOPE DETAIL**  
NO SCALE

1  
18

NOTE: TRENCH OPTION IS MOST APPLICABLE IN LOOSE, UNCONSOLIDATED SOILS.

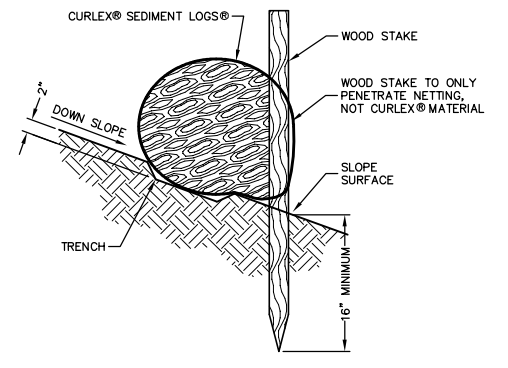
1 1/8" x 1 1/8" x 30" WOODEN STAKES ARE RECOMMENDED FOR 6", 9", AND 12" SEDIMENT LOGS®.

1 1/8" x 1 1/8" x 48" WOODEN STAKES ARE RECOMMENDED FOR 20" SEDIMENT LOGS®.



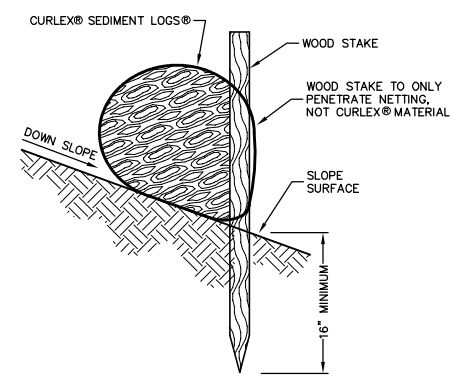
**STAKE DETAILS (ON TOP OF CURLEX® ECB)**  
NO SCALE

2  
18



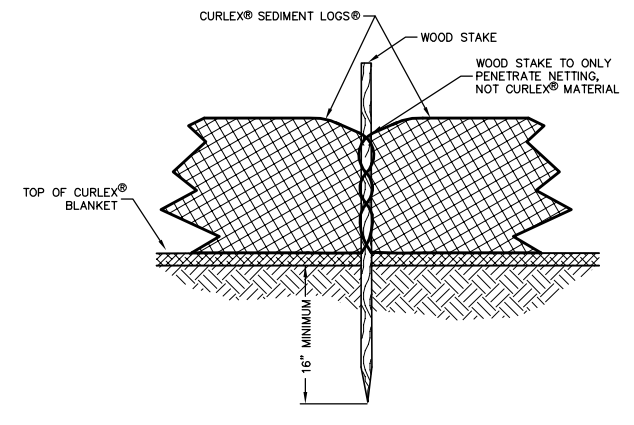
**(OPTIONAL TRENCH ON BARE SOIL)**  
NO SCALE

4  
18



**STAKE DETAILS (ON BARE SOIL)**  
NO SCALE

3  
18



**STAKE DETAIL (FRONT VIEW)**  
NO SCALE

5  
18



NO.	BY	DATE	REVISIONS	PROJECT MANAGER
				CHECKED BY:
				APPROVED BY:

**AMERICAN EXCELSIOR COMPANY**  
ARLINGTON, TEXAS

SHEET DESCRIPTION  
**CURLEX® SEDIMENT LOG®**  
SLOPE INTERRUPTION DETAIL

DATE 5/23/05	DRAWN BY
SCALE NONE	PROJECT NO.
	SHEET NO. 18